



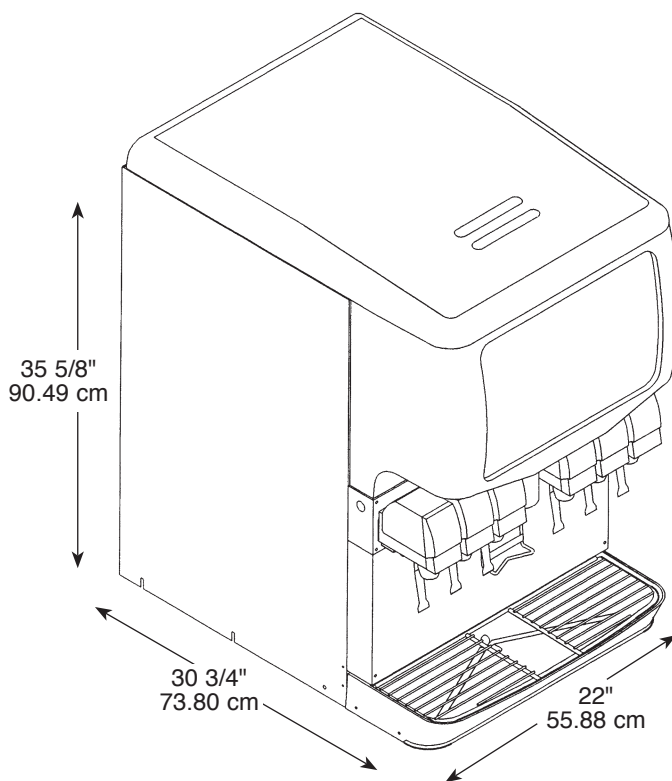
## **ENDURO 150**

POST-MIX ICE DRINK DISPENSER



### **FEATURES:**

- 150 lb ice capacity
- Available with 6 UFB-1™ sanitary lever or push button valves
- Illuminated merchandiser delivers high impact marketing message
- Gravity ice dispensing with positive shut-off provides excellent ice targeting
- Ice used to cool cold plate is separate from ice dispensed into cups
- One piece ABS thermoformed plastic ice storage hopper (Durabide™ design) provides durability and ensures all ice in the hopper is dispensable
- Unit readily accepts top mount cubers with manual ice fill capability
- Stainless steel cabinet
- Modular design allows for easy component access from the front of the unit
- New and improved TotalFlex™ – easily changes from carbonated to non-carbonated



PART NUMBER	DESCRIPTION
621053405	Enduro 150 Ice Drink Dispenser with 6 UFB-1™ 2-4 oz Sanitary Lever Valves
621053404	Enduro 150 Ice Drink Dispenser with 6 UFB-1™ 2-4 oz Push Button Valve
3472	Enduro 150 Dispenser Stand - Stainless Steel: 30"H x 22"W x 30"D
629087406	Leg Kit contains four 4" (102 mm) legs

Order optional leg kit separately.

## TECHNICAL SPECIFICATIONS:

ICE STORAGE CAPACITY . . . . . 150 lb (68.04 kg)

BEVERAGE MANIFOLDING . . . . . TotalFlex

CUP CLEARANCE . . . . . 10" (25.4 cm)

COOLING CAPACITY . . . . . 10-12 oz drinks /  
min @ 75°F




DRAIN CONNECTION . . . . . 0.75" PVC (NPT) or  
1" ID flexible tubing

GRAPHIC SIZE . . . . . Overall:  
11.4"H x 16.6"W  
Viewable:  
10.608"H x 16.3"W

STANDARD OPTIONS . . . . . Beverage key switch,  
and timed ice agitation

ELECTRICAL REQUIREMENTS . . 115 V / 60 Hz / 3 Amps

SHIPPING WEIGHT . . . . . 240 lb (108.86 kg)

AGENCY LISTINGS . . . . .     
City of Los Angeles

